



3 and 4 Wheel Electric Counterbalance

ECBT16Q
ECBT20Q

ECB16Q
ECB20Q
ECB25Q
ECB30Q
ECB35Q
ECB38Q

THE PERFECT BLEND FOR AN EFFICIENT OPERATION

Experience the ideal combination of traditional internal combustion design and Lithium-Ion powered electric forklifts. The ECBT and ECB series offer the robustness of internal combustion truck chassis with a spacious operator area for comfortable manoeuvring. Equipped with a standard Lithium-Ion Phosphate (LFP) battery, these forklifts ensure efficient rapid charging to keep your operations running smoothly.



The L'M Lithium Electric series provides a dependable and cost-effective solution to streamline your indoor and outdoor operations, perfectly suited for low and medium-intensity material handling tasks.

WHY CHOOSE OUR FORKLIFT?

- **Perfect for Low and Medium Duty Tasks:** Ideal for a wide range of lifting and moving tasks in low to medium duty environments.
- **Fit for Purpose:** Designed to meet the specific needs of your operations, providing reliable performance for essential tasks and ensuring smooth daily operations.
- **Affordable:** Get the best value for your investment.
- **Reliable:** Consistent and dependable operation for all your lifting needs.

KEY FEATURES:

- **Maintenance-Free:** Enjoy the benefits of a maintenance-free battery.
- **User-Friendly Operation:** Easy-to-use controls for a hassle-free experience.
- **Versatile Use:** Suitable for both indoor and outdoor environments, providing flexibility in your operations.
- **Safety First:** Equipped with safety features to protect your operators and equipment.



ECB16-20QT Series

3 Wheel Models

STANDARD CONFIGURATION

ECBT16-20Q

- Battery 51.2V / 206Ah
- 48V / 100A charger
- 2 stage 3300 mm mast
- 4th valve incl. hosing to carriage
- Front and rear super elastic tires
- PVC roof on standard overhead guard
- Road Light Kit
- Reverse Warning Buzzer
- Standard Hook on Sideshifter
- Rear view mirror
- Suspended KL01 seat
- Bluespot rear

OPTIONS

- Battery 51.2V / 277Ah
- 48V / 150A charger
- 48V / 50A charger
- Cold Store Modification -18° C
- 2 stage 4000 mm mast
- 3 stage 4300 mm mast
- 3 stage 4500 mm mast
- 3 stage 5500 mm mast
- Complete cabin
- Fingertip incl. forward, reverse
- Luxury Seat Grammer MSG65
- Forkpositioner incl. sideshift
- Non marking SE tires
- Front window with wiper

STOCK SPEC

- 3 stage 4800 mm mast



ECB16-38Q Series

4 Wheel Models

STANDARD CONFIGURATION

ECB16-20Q	ECB25-30Q	ECB35-38Q
<ul style="list-style-type: none"> Battery 76.8V / 125Ah 80V / 65A charger 2 stage 3300 mm mast 4th valve incl. hosing to carriage Bluespot rear Front and rear super elastic tires 	<ul style="list-style-type: none"> Battery 76.8V / 206Ah 80V / 65A charger 2 stage 3300 mm mast 4th valve incl. hosing to carriage Bluespot rear Front and rear super elastic tires Battery Heating for Charging 	<ul style="list-style-type: none"> Battery 76.8V / 277Ah 80V / 100A charger 2 stage 3300 mm mast 4th valve incl. hosing to carriage Bluespot rear Front and rear super elastic tires Battery Heating for Charging
<ul style="list-style-type: none"> Glass roof on standard overhead guard Rear view mirror Road Light Kit Reverse Warning Buzzer Hook on Sideshifter Suspended KL01 seat 	<ul style="list-style-type: none"> Glass roof on standard overhead guard Rear view mirror Road Light Kit Reverse Warning Buzzer Hook on Sideshifter Suspended KL01 seat 	<ul style="list-style-type: none"> Glass roof on standard overhead guard Rear view mirror Road Light Kit Reverse Warning Buzzer Hook on Sideshifter Suspended KL01 seat

OPTIONS

<ul style="list-style-type: none"> Battery 76.8V / 206Ah 80V / 100A charger Integrated charger 80V / 35A single phase plug type Integrated charger 80V / 35A single phase gun-type like EV Integrated charger 80V / 100A three phase gun-type like EV 2 stage 4000 mm mast 3 stage 4300 mm mast 3 stage 4500 mm mast 3 stage 5500 mm mast Complete cabin Grammer Fingertip incl. forward, reverse + Grammer MSG65 Seat Luxury Seat Grammer MSG65 Forkpositioner incl. sideshift Cabin without doors Front window with wiper Cold Store Modification -18 °C Non marking SE tires 	<ul style="list-style-type: none"> Battery 76.8V / 277Ah 80V / 100A charger Integrated charger 80V / 35A single phase plug type Integrated charger 80V / 35A single phase gun-type like EV Integrated charger 80V / 100A three phase gun-type like EV 2 stage 4000 mm mast 3 stage 4300 / 4500 mm mast 3 stage 5500 mm mast Complete cabin Grammer Fingertip incl. forward, reverse + Grammer MSG65 Seat Luxury Seat Grammer MSG65 Forkpositioner incl. sideshift Cabin without doors Front window with wiper Cold Store Modification -18 °C Non marking SE tires Higher travel speed and lift speed 	<ul style="list-style-type: none"> Battery 76.8V / 412Ah 80V / 150A charger Integrated charger 80V / 35A single phase plug type Integrated charger 80V / 35A single phase gun-type like EV Integrated charger 80V / 100A three phase gun-type like EV 2 stage 4000 mm mast 3 stage 4300 / 4500 mm mast 3 stage 5500 mm mast Complete cabin Grammer Fingertip incl. forward, reverse + Grammer MSG65 Seat Luxury Seat Grammer MSG65 Forkpositioner incl. sideshift Cabin without doors Front window with wiper Cold Store Modification -18 °C Non marking SE tires Higher travel speed and lift speed
--	---	---

STOCK SPEC

<ul style="list-style-type: none"> 3 stage 4800 mm mast 	ECB25Q <ul style="list-style-type: none"> 3 stage 4800 mm mast 	ECB35Q <ul style="list-style-type: none"> 3 stage 4500 mm mast
	ECB30Q <ul style="list-style-type: none"> 3 stage 4500 mm mast 	ECB38Q <ul style="list-style-type: none"> 3 stage 4300 mm mast

ECBT16-20Q Series

3 Wheel Models



			L'M	L'M	
			ECBT16Q	ECBT20Q	
Identification	1.1	Manufacture(abbreviation)			
	1.2	Manufacturer's type designation			
	1.3	Drive: electric (battery or mains), diesel, petrol gas, manual)		electric	
	1.4	Type of operation (hand, pedestrian, standing, seated, order-picker)		seated	
	1.5	Load capacity / rated load	Q kg	1600	2000
	1.6	Load centre distance	c mm	500	500
	1.8	Load distance, centre of drive axle to fork	x mm	372	377
	1.9	Wheelbase	y mm	1360	1490
	Weights	2.1	Service weight incl. battery (see line 6.5)	kg	3100
2.2		Axle loading, laden front / rear	kg	4180 / 520	4910 / 610
2.3		Axle loading, unladen front / rear	kg	1490 / 1610	1700 / 1820
Wheels, Chassis	3.1	Type: solid rubber, super elastic, pneumatic, polyurethane		super elastic	super elastic
	3.2	Tyres size, front		18 x 7-8	200 / 50-10
	3.3	Tyres size, rear		15 x 4.5 / -8	15 x 4.5 / -8
	3.5	Wheels, number front / rear (x=driven wheels)		2x / 2	2x / 2
	3.6	Track width, front	b10 mm	902	902
	3.7	Track width, rear	b11 mm	187	187
	Basic Dimensions	4.1	Mast / fork carriage tilt forward / backward	α/β mm	5 / 7
4.2		Lowered mast height	h1 mm	1995	1995
4.3		Free lift	h2 mm	125	125
4.4		Lift height	h3 mm	3000	3000
4.5		Extended mast height	h4 mm	3955	3955
4.7		Overhead load guardheight	h6 mm	2100	2100
4.8		Seat height / standing height	h7 mm	1005	1005
4.12		Coupling height	h10 mm	465	465
4.19		Overall length	l1 mm	2870	3155
4.20		Length to face of forks	l2 mm	1950	2085
4.21		Overall width	b1 / b2 mm	1084	1084
4.22		Fork dimensions	s / e / l mm	35 / 100 / 920	40 / 100 / 1070
4.24		Fork carriage width	b3 mm	1040	1040
4.31		Ground clearance, laden, under mast	m1 mm	105	105
4.32		Ground clearance, centre of wheelbase	m2 mm	105	105
4.33		Aisle width for pallets 1000x1200 crossways	Ast mm	3268	3403
4.34		Aisle width for pallets 800x1200 lengthways	Ast mm	3393	3527
4.35	Turning radius	Wa mm	1570	1700	
Performance Data	5.1	Travel speed, laden / unladen	km/h	14 / 15	13 / 15
	5.2	Lift speed, laden / unladen	m/s	0.32 / 0.42	0.30 / 0.42
	5.3	Lowering speed, laden / unladen	m/s	<600	<600
	5.5	Max.Drawbar pull, laden / unladen	N	8500 / 7800	8800 / 8000
	5.7	Max.Gradient performance, laden / unladen	%	15 / 20	13 / 18
	5.10	Service brake		hydraulic	hydraulic
E-Motor	6.1	Drive motor rating S_2 60 min	kW	4.5*2	4.5*2
	6.2	Lift motor rating at S_3 15%	kW	8,6	8,6
	6.3	Battery standard		Lion	Lion
	6.4	Battery voltage, nominal capacity K_5	V/Ah	Lion: 51.2 / 206 (277 option)	Lion: 51.2 / 206 (277 option)
	6.5	Battery weight	kg	Lion: 450	Lion: 450
	Battery dimensions l/w/h	mm	980 x 538 x 670	980 x 668 x 670	
Other Details	8.1	Type of drive control		AC	AC
	8.2	Operating pressure for attachments	Mpa	17,5	17,5
	8.3	Oil volume for attachments	l/min	36	36
	8.4	Sound level at driver's ear according to EN 12 053	dB(A)	73	73

ECB16-20Q Series 4 Wheel Models



			L'M	L'M
			ECB16Q	EBC20Q
Identification	1.1	Manufacture(abbreviation)		
	1.2	Manufacturer's type designation		
	1.3	Drive: electric (battery or mains), diesel, petrol gas, manual)		electric electric
	1.4	Type of operation (hand, pedestrian, standing, seated, order-picker)		seated seated
	1.5	Load capacity / rated load	Q kg	1600 2000
	1.6	Load centre distance	c mm	500 500
	1.8	Load distance, centre of drive axle to fork	x mm	381 386
	1.9	Wheelbase	y mm	1410 1410
	Weights	2.1	Service weight incl. battery (see line 6.5)	kg
2.2		Axle loading, laden front / rear	kg	3020 / 480 4670 / 530
2.3		Axle loading, unladen front / rear	kg	1220 / 1680 1400 / 1800
Wheels, Chassis	3.1	Type: solid rubber, superelastic, pneumatic, polyurethane		super elastic super elastic
	3.2	Tyres size, front		6.50-10-10PR 6.50-10-10PR
	3.3	Tyres size, rear		5.00-8-10PR 5.00-8-10PR
	3.5	Wheels, number front / rear (x=driven wheels)		2x / 2 2x / 2
	3.6	Track width, front	b10 mm	970 970
	3.7	Track width, rear	b11 mm	920 920
	Basic Dimensions	4.1	Mast / fork carriage tilt forward / backward	α/β mm
4.2		Lowered mast height	h1 mm	2053 2053
4.3		Free lift	h2 mm	130 130
4.4		Lift height	h3 mm	3000 3000
4.5		Extended mast height	h4 mm	3982 3982
4.7		Overhead load guardheight	h6 mm	2150 2150
4.8		Seat height / standing height	h7 mm	1085 1085
4.12		Coupling height	h10 mm	460 460
4.19		Overall length	l1 mm	3045 3195
4.20		Length to face of forks	l2 mm	2125 2125
4.21		Overall width	b1 / b2 mm	1150 1150
4.22		Fork dimensions	s / e / l mm	35 / 100 / 920 40 / 100 / 1070
4.24		Fork carriage width	b3 mm	1040 1040
4.31		Ground clearance, laden, under mast	m1 mm	98 98
4.32		Ground clearance, centre of wheelbase	m2 mm	100 100
4.33		Aisle width for pallets 1000x1200 crossways	Ast mm	3501 3506
4.34		Aisle width for pallets 800x1200 lengthways	Ast mm	3701 3706
4.35	Turning radius	Wa mm	1920 1920	
Performance Data	5.1	Travel speed, laden / unladen	km/h	14 / 15 14 / 15
	5.2	Lift speed, laden / unladen	m/s	0.32 / 0.42 0.32 / 0.42
	5.3	Lowering speed, laden / unladen	m/s	0.52 / 0.42 0.52 / 0.42
	5.7	Max.Gradient performance, laden / unladen S ₂ 5 min	%	15 / 20 15 / 20
	5.10	Service brake		hydraulic hydraulic
E-Motor	6.1	Drive motor rating S ₂ 60 min	kW	11 11
	6.2	Lift motor rating at S ₃ 15%	kW	12 12
	6.3	Battery standard		lion lion
	6.4	Battery voltage, nominal capacity K _s	V/Ah	76.8 / 125 (206 option) 76.8 / 125 (206 option)
	6.5	Battery weight	kg	160 / 200 160 / 200
	6.6	Battery dimensions l/w/h	mm	720 / 490 / 615 720 / 490 / 615
Other Details	8.1	Type of drive control		AC AC
	8.2	Operating pressure for attachments	Mpa	14,5 14,5
	8.3	Oil volume for attachments	l/min	30 30
	8.4	Sound level at driver's ear according to EN 12 053	dB(A)	72 72

ECB25-38Q Series 4 Wheel Models



			L'M	L'M	L'M	L'M	
			ECB25Q	ECB30Q	ECB35Q	ECB38Q	
Identification	1.1	Manufacture(abbreviation)					
	1.2	Manufacturer's type designation					
	1.3	Drive: electric (battery or mains), diesel, petrol gas, manual)					
	1.4	Type of operation (hand, pedestrian, standing, seated, order-picker)					
	1.5	Load capacity / rated load	Q kg	2500	3000	3500	3800
	1.6	Load centre distance	c mm	500	500	500	500
	1.8	Load distance,centre of drive axle to fork	x mm	473	478	483	483
	1.9	Wheelbase	y mm	1630	1700	1760	1760
	Weights	2.1	Service weight incl. battery (see line 6.5)	kg	3800	4280	4660
2.2		Axle loading ,laden front / rear	kg	5660 / 640	6530 / 750	7240 / 920	7810 / 880
2.3		Axle loading,unladen front / rear	kg	1620 / 2180	2060 / 2220	2040 / 2620	1880 / 3010
Wheels, Chassis	3.1	Type: solid rubber, superelastic, pneumatic, polyurethane		super elastic	super elastic	super elastic	super elastic
	3.2	Tyres size,front		7.00-12-12PR	28×9-15-14PR	28×9-15-14PR	28×9-15-14PR
	3.3	Tyres size,rear		18×7-8-14PR	6.50-10-10PR	6.50-10-10PR	6.50-10-10PR
	3.5	Wheels, number front/rear(x=driven wheels)		2× / 2	2× / 2	2× / 2	2× / 2
	3.6	Track width, front	b10 mm	973	1004	1004	1004
	3.7	Track width, rear	b11 mm	960	982	982	982
	Basic Dimensions	4.1	Mast/fork carriage tilt forward / backward	α/β mm	6 / 10	6 / 10	6 / 10
4.2		Lowered mast height	h1 mm	2070	2070	2185	2185
4.3		Free lift	h2 mm	135	140	145	145
4.4		Lift height	h3 mm	3000	3000	3000	3000
4.5		Extended mast height	h4 mm	3974	4079	4079	4079
4.7		Overhead load guardheight	h6 mm	2200	2200	2200	2200
4.8		Seat height / standing height	h7 mm	1090	1130	1130	1130
4.12		Coupling height	h10 mm	470	580	580	580
4.19		Overall length	l1 mm	3540	3688	3818	3818
4.20		Length to face of forks	l2 mm	2470	2618	2748	2748
4.21		Overall width	b1 / b2 mm	1150	1230	1230	1230
4.22		Fork dimensions	s/e/l mm	40 / 122 / 1070	45 / 125 / 1070	50 / 125 / 1070	50 / 125/1070
4.24		Fork carriage width	b3 mm	1040	1100	1100	1100
4.31		Ground clearance, laden, under mast	m1 mm	135	140	145	145
4.32		Ground clearance, centre of wheelbase	m2 mm	150	150	150	150
4.33		Aisle width for pallets 1000×1200 crossways	Ast mm	3903	4039	4153	4153
4.34		Aisle width for pallets 800×1200 lengthways	Ast mm	4103	4238	4353	4353
4.35	Turning radius	Wa mm	2230	2360	2470	2470	
Performance Data	5.1	Travel speed, laden / unladen	km/h	14 / 15	14 / 15	14 / 15	13 / 14
	5.2	Lift speed, laden / unladen	m/s	0.3 / 0.4	0.3 / 0.4	0.3 / 0.4	0.28 / 0.38
	5.3	Lowering speed, laden / unladen	m/s	<0.6	<0.6	<0.6	<0.6
	5.5	Max.Drawbar pull, laden / unladen	N	13000 / 14000	14000 / 15000	14000 / 15000	14000 / 15000
	5.7	Max.Gradient performance, laden / unladen	%	15 / 15	15 / 15	15 / 15	15 / 15
	5.10	Service brake		Hydraulic	Hydraulic	Hydraulic	Hydraulic
E-Motor	6.1	Drive motor rating S ₂ 60 min	kW	16	16	16	16
	6.2	Lift motor rating at S ₃ 15%	kW	16	16	16	16
	6.3	Battery standard		Lion	Lion	Lion	Lion
	6.4	Battery voltage, nominal capacity K ₅	V/Ah	76.8 / 206 (277 optional)	76.8 / 206 (277 optional)	76.8 / 277 (412 optional)	76.8 / 277 (412 optional)
	6.5	Battery weight	kg	200 / 240	200 / 240	200 / 240	200 / 240
	6.6	Battery dimensions l/w/h	mm	770 / 600 / 605	770 / 600 / 605	770 / 600 / 605	770 / 600 / 605
Other Details	8.1	Type of drive control		AC	AC	AC	AC
	8.2	Operating pressure for attachments	Mpa	17,5	17,5	17,5	17,5
	8.3	Oil volume for attachments	l/min	36	36	36	36
	8.4	Sound level at driver's ear according to EN 12 053	dB(A)	74	74	74	74

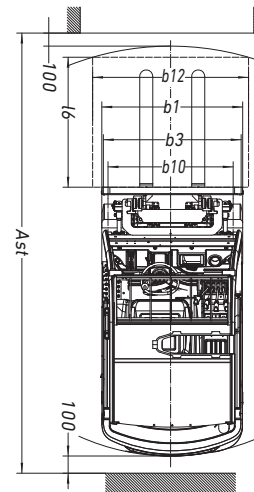
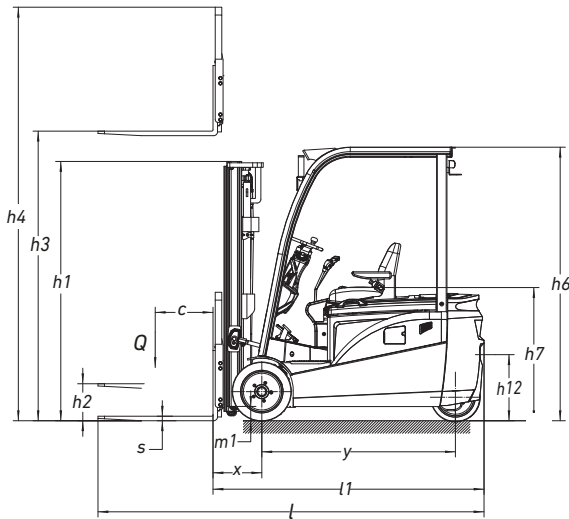


ECBT16-20Q Series 3 Wheel Models

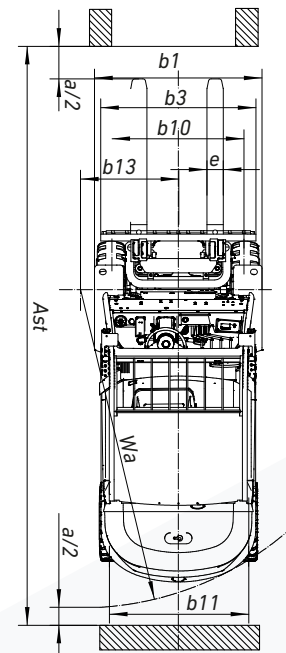
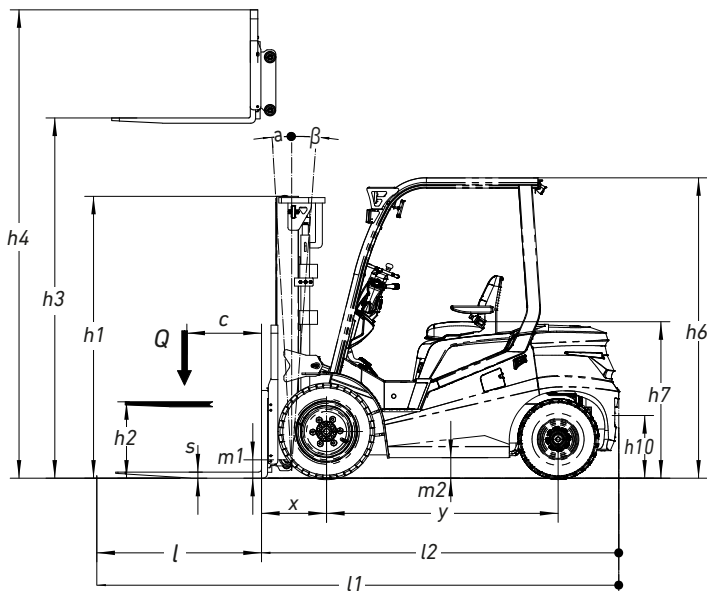
MAST TABLE

CAPACITY TABLE (KG)

ECBT16-20Q	Designation	Lift height	Free Lift height	Closed mast height	Extended mast height	Tilt forward/backward	C=500mm	
		h3	h2	h1	h4	$\alpha/\beta(^{\circ})$	without sideshift super elastic	
	mm	mm	mm	mm		ECBT16Q	ECBT20Q	
Simplex		3300	125	2145	4255	5/7	1600	2000
		4000	125	2545	4955	3/5	1500	2000
Triplex		4350	1110	2065	5305	3/5	1450	1850
		4500	1160	2115	5455	3/5	1400	1800
		4799	1200	2155	5755	3/5	1300	1600
		5000	1360	2315	5955	3/5	1200	1500
		5500	1510	2465	6455	3/5	1100	1300
		6000	1710	2665	6955	3/5	800	1000



ECB16-38Q Series 4 Wheel Models



ECB16-38Q Series

4 Wheel Models

MAST TABLE

CAPACITY TABLE (KG)

	Designation	Lift height	Free Lift height	Closed mast height	Extended mast height	Tilt forward/backward	C=500mm	
		h3	h2	h1	h4	$\alpha/\beta(^{\circ})$	without sideshift super elastic	
		mm	mm	mm	mm		ECB16Q	ECB20Q
ECB16-20Q	Simplex	3300	110	2203	4282	6/10	1600	2000
		4000	110	2603	4982	6/6	1500	1800
	Triplex	4300	1153	2103	5280	6/6	1400	1600
		4500	1203	2153	5480	6/6	1300	1500
		4800	1303	2253	5780	6/6	1000	1200
		5000	1403	2353	5980	6/6	900	1100
		5500	1553	2503	6480	3/6	800	900
		6000	1753	2703	6980	3/6	700	800
ECB25Q	Simplex	3300	130	2205	4274	6/10	2500	
		4000	130	2605	4974	6/6	2450	
	Triplex	4000	1056	1980	4976	6/6	2350	
		4350	1181	2105	5326	6/6	2200	
		4500	1231	2155	5476	6/6	2000	
		4800	1331	2255	5776	6/6	1900	
		5000	1474	2398	5976	6/6	1700	
		5500	1708	2647	6476	3/6	1400	
6000	1941	2865	6976	3/6	950			
ECB30Q	Simplex	3300	140	2225	4379	6/10	3000	
		4000	140	2625	5079	6/6	2950	
	Triplex	4000	921	2000	5079	6/6	2900	
		4350	1046	2125	5429	6/6	2700	
		4500	1096	2175	5579	6/6	2600	
		4800	1196	2275	5879	6/6	2400	
		5000	1339	2418	6079	6/6	2300	
		5500	1573	2652	6579	3/6	1800	
6000	1806	2885	7079	3/6	1400			
ECB35Q	Simplex	3300	145	2335	4379	6/10	3500	
		4000	145	2735	5079	6/6	3300	
	Triplex	4000	921	2000	5079	6/6	3250	
		4350	1046	2125	5429	6/6	3150	
		4500	1096	2175	5579	6/6	3000	
		4800	1196	2275	5879	6/6	2800	
		5000	1339	2418	6079	6/6	2650	
		5500	1573	2652	6579	3/6	2200	
6000	1806	2885	7079	3/6	1500			
ECB38Q	Simplex	3300	145	2335	4379	6/10	3800	
		4000	145	2735	5079	6/6	3650	
	Triplex	4000	1021	2100	5079	6/6	3650	
		4350	1146	2225	5379	6/6	3550	
		4500	1196	2275	5579	6/6	3350	
		4800	1296	2375	5879	6/6	3100	
		5000	1439	2518	6079	6/6	3000	
		5500	1673	2752	6579	3/6	2700	
6000	1906	2985	7079	3/6	2200			

ECB30Q
Secondary full free lift height (without load backrest) +400mm.

Three-stage full free lift height (without load backrest) +320mm.

ECB35Q
Secondary full free lift height (without load backrest) +400mm.

Three-stage full free lift height (without load backrest) +320mm.

ECB38Q
Secondary full free lift height (without load backrest) +300mm.

Three-stage full free lift height (without load backrest) +238mm.





BOOST YOUR EFFICIENCY WITH THE L'M LITHIUM ELECTRIC SERIES!

© 2024 MLE B.V. (registration no. 33274459). All rights reserved.

DISCLAIMER: Performance specifications can vary due to standard manufacturing tolerances, vehicle condition, tyre types, floor or surface conditions, applications, or operating environments. Trucks may be depicted with nonstandard options. For specific performance requirements and locally available configurations, please consult your distributor. We adhere to a policy of continuous product improvement, so some materials, options, and specifications may change without prior notice.